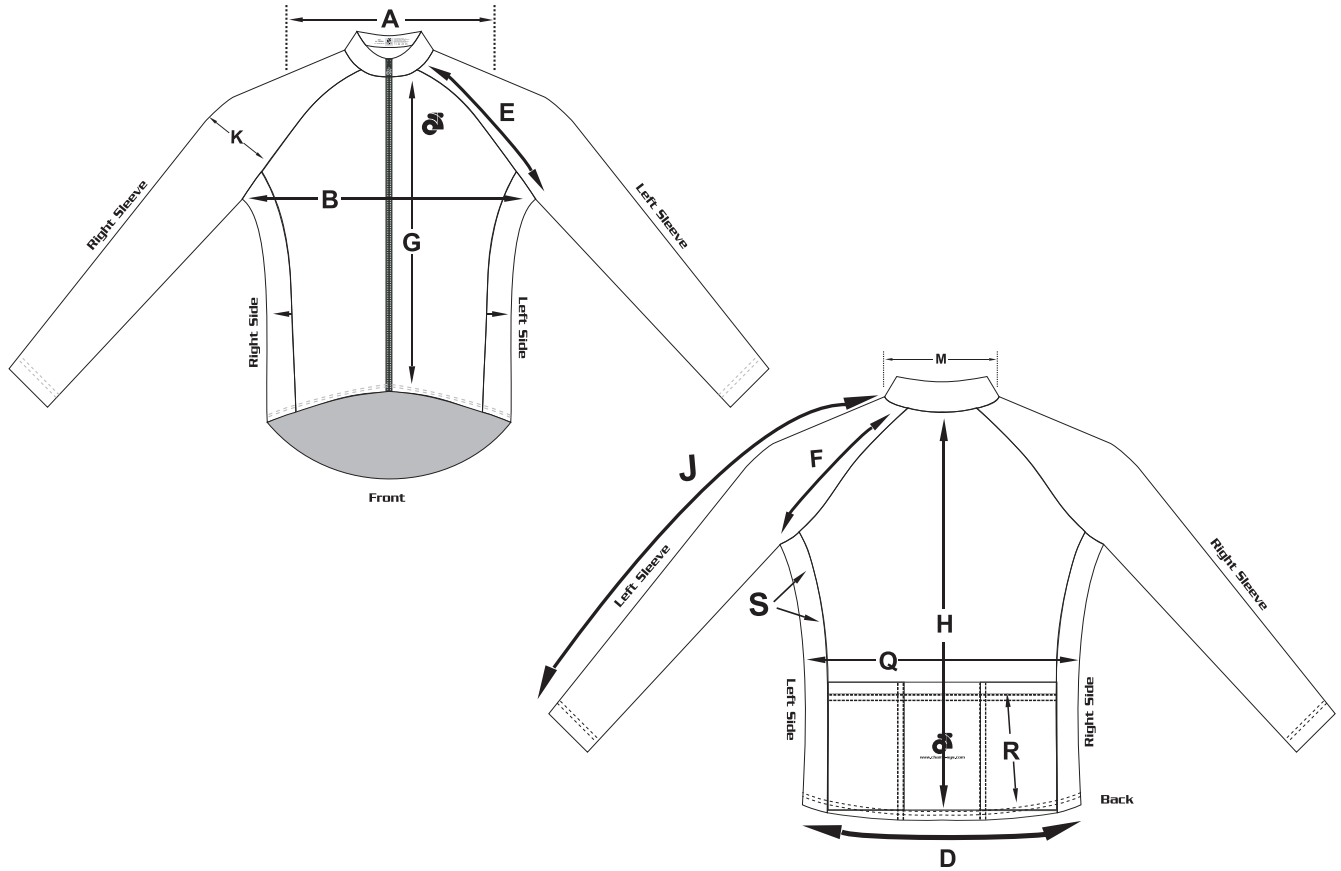


Men's Raglan Long Sleeve Club Cut Jersey



CODE	SIZING	INCH	XS	S	M	L	XL	2X	3X	4X	Tol (+/-)
Men's Long Sleeve Club Cut Jersey Lightweight											
1	A	Across shoulder	-1	- 1/2		1/2	1	1 1/2	2	2 1/2	1/4
2	B	Chest 1" below armhole	36 1/2	38 1/2	40 1/2	42 1/2	44 1/2	46 1/2	48 1/2	50 1/2	1/2
3	C	Waist width relaxed	34	36	38	40	42	44	46	48	1/2
4	D	Bottom width relaxed	30	32	34	36	38	40	42	44	1/2
4		Bottom width Stretched	34	36	38	40	42	44	46	48	1/2
5	E	Front armhole circ Raglan	9 3/4	10 3/8	11	11 5/8	12 1/4	12 7/8	13 1/2	14 1/8	1/4
6	F	Back armhole circ Raglan	11	11 5/8	12 1/4	12 7/8	13 1/2	14 1/8	14 3/4	15 3/8	1/4
7	G	Front length from CFN	21 1/2	22 1/4	23	23 3/4	24 1/2	25 1/4	26	26 3/4	1/2
8	H	Back length from CBN	25 3/4	26 1/2	27 1/4	28	28 3/4	29 1/2	30 1/4	31	1/2
9	I	Front zipper length	23	23 3/4	24 1/2	25 1/4	26	26 3/4	27 1/2	28 1/4	1/2
10	J	L/Sleeve length from HPS	28 1/2	29 1/2	30 1/2	31 1/2	32 1/2	33 1/2	34 1/2	35 1/2	1/4
11	K	Muscle 1" below armhole	14 1/2	15	15 1/2	16	16 1/2	17	17 1/2	18	1/4
12	L	L/Sleeve opening relaxed	7	7 1/2	8	8 1/2	9	9 1/2	10	10 1/2	1/8
13	M	Neck width	5 3/4	6	6 1/4	6 1/2	6 3/4	7	7 1/4	7 1/2	1/8
14	N	Front neck Drop	2 1/2	2 5/8	2 3/4	2 7/8	3	3 1/8	3 1/4	3 1/2	1/8
15	O	Back neck Drop	3/4	13/16	7/8	15/16	1	1 1/16	1 1/8	1 3/16	1/8
16	P	Neck opening	13 1/4	14	14 3/4	15 1/2	16 1/4	17	17 3/4	18 1/2	1/2
17	Q	Back pocket opening relaxed	11 1/2	12 1/4	13	13 3/4	14 1/2	15 1/4	16	16 3/4	1/2
18	R	Back pocket height	6 1/2	6 3/4	7	7 1/4	7 1/2	7 3/4	8	8 1/4	1/4
19	S	Side panel									1/8
20	T	Collar Band			1 3/4						0

Note: All garments are measured while laid flat. All measurements are approximate. Exact measurements can vary slightly.